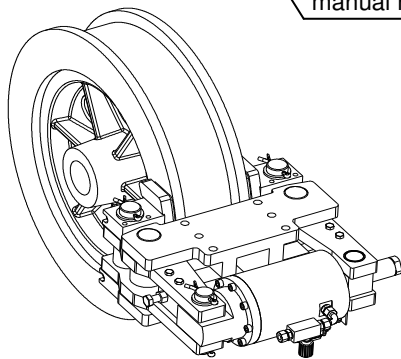
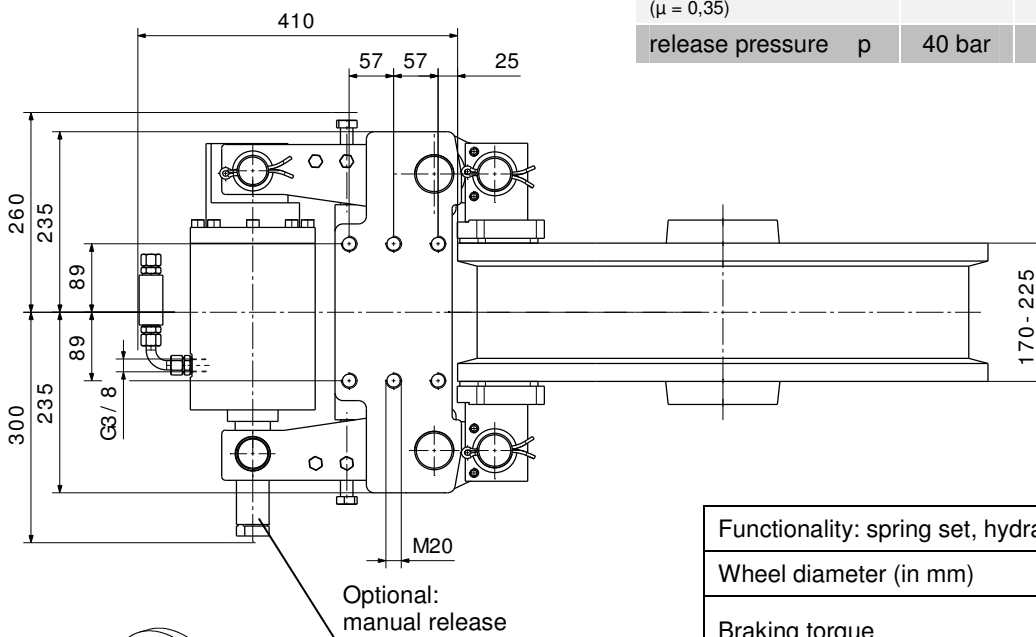


brake type		RHI 30	RHI 56	RHI 70	RHI85
braking force ($\mu = 0,35$)	F_B	30 kN	56 kN	70 kN	85 kN
release pressure	p	40 bar	65 bar	80 bar	90 bar



Functionality: spring set, hydraulically released	
Wheel diameter (in mm)	$\varnothing D$
Braking torque	$M_{Br} = \frac{\varnothing D - 95}{2} \cdot F_B$
Retracted clearance per side	$c = 1.5 \text{ mm}$
Max. oil volume	$V = 0.18 \text{ ltr.}$
Wheel width	$b = 170 - 225 \text{ mm}$
Weight	$m = 180 \text{ kg}$
Options:	<ul style="list-style-type: none"> • manual release • adjustable needle valve for flow control • limit switch "brake released" • limit switch "linings worn"