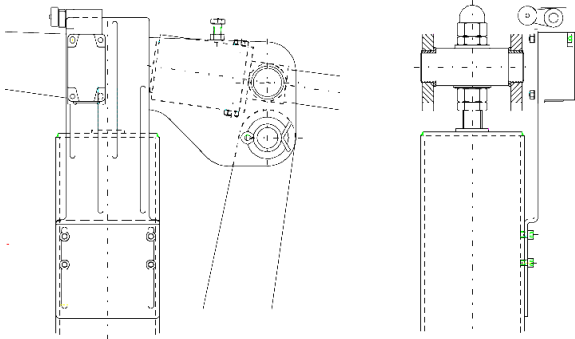
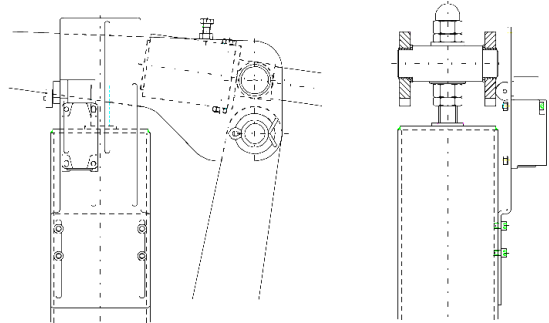


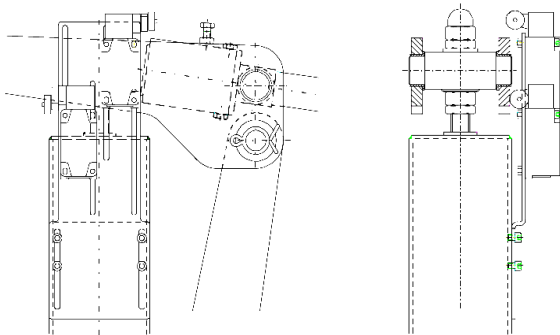
mechanical limit switch „brake open“ as per
WN 200/51 with switch Z4VH336-11z



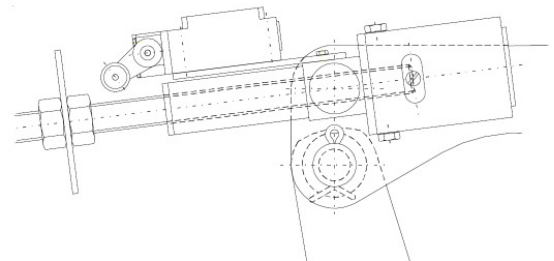
mechanical limit switch „brake closed“ as
per WN 200/52 with switch Z4VH336-11z



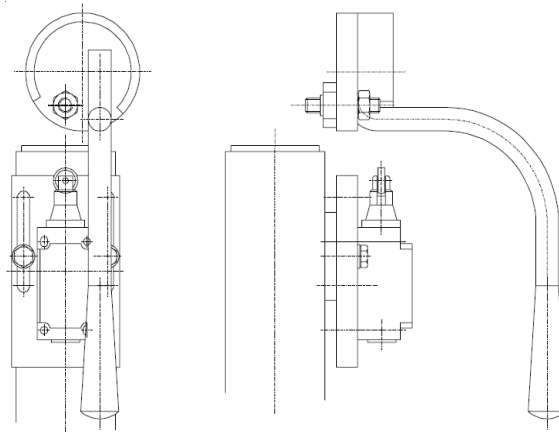
mechanical twin limit switch „open & closed“ as
per WN 200/53 with switch Z4VH336-11z



mechanical twin limit switch „pad wear limit“ as
per WN 200/04 with switch Z4VH336-11z

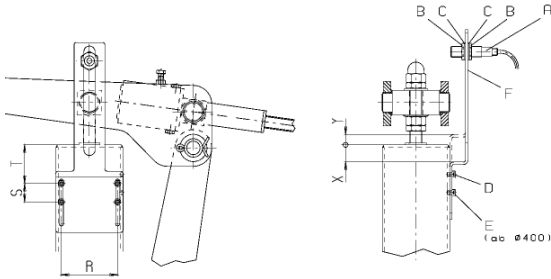


Emergency manual release with mechanical limit switch ZR336-11z for indication
„manual release engaged“ as per WN 200/03

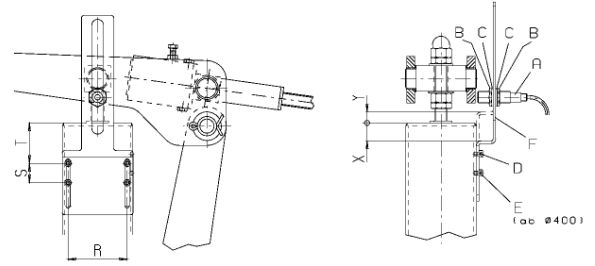


Options for Drum Brakes

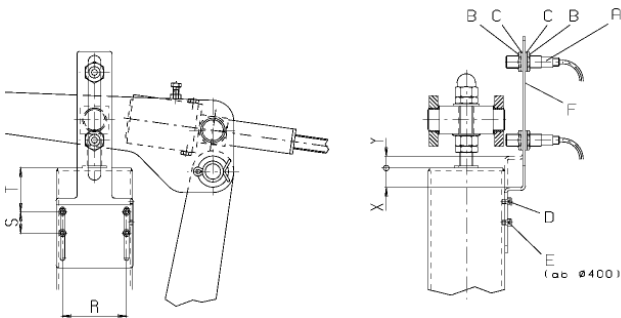
inductive proximity switch „brake open“ as per WN 200/54 with sensor Bi5-M18-AZ3X



inductive proximity switch „brake closed“ as per WN 200/55 with sensor Bi5-M18-AZ3X



inductive proximity switch „open & closed“ as per WN 200/56 with sensor Bi5-M18-AZ3X



inductive proximity switch „pad wear limit“ as per WN 200/04-1 with sensor Bi5-M18-RZ3X

Emergency manual release with inductive proximity switch Bi5-M18-AZ3X for indication „manual release engaged“ as per WN 200/03