

Options: manual release, switch „open“ & „wear“

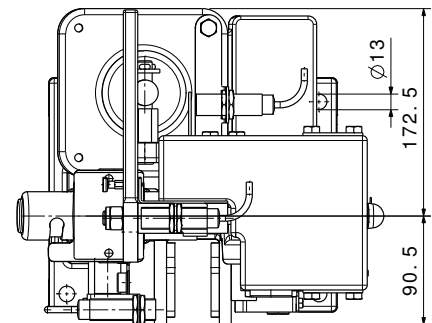
B = disc thickness in mm, standard = 30 mm, optional = 20 mm

Ø D2 = outer disc diameter in mm

Ø D1 = theoretical friction diameter in mm

Ø D3 = max. coupling or hub diameter in mm

linings: = for USB 3-05-E50: organic, size 50
 = for USB 3-05-E100: sinter, size 100, suitable for disc-Ø D2 ≥ 250 mm



	ØD1	ØD3	R1	C	Weight incl. thruster kg	
USB 3-05-E50	ØD2 - 55	ØD2 - 120	ØD2/2 - 45	R1 + 240	58	
USB 3-05-E100	ØD2 - 67.5	ØD2 - 135	ØD2/2 - 45	R1 + 240	58	
Braking torque in Nm ($\mu=0,35$) on disc-Ø D2, adjustable from / to						
	Ø 200	Ø 250	Ø 315	Ø 355	Ø 400	other disc Ø upon request
USB 3-05-E50	80-250	110-340	140-450	160-520	190-600	
USB 3-05-E100	n.a.	320-670	440-910	510-1060	610-1230	

Alterations reserved

SIBRE Siegerland-Bremsen GmbH – Auf der Stücke 1-5 – D-35708 Haiger, Germany
 Tel.: +49 2773 94000 – Fax: +49 2773 9400-10 – e-mail: info@sibre.de – www.sibre.de