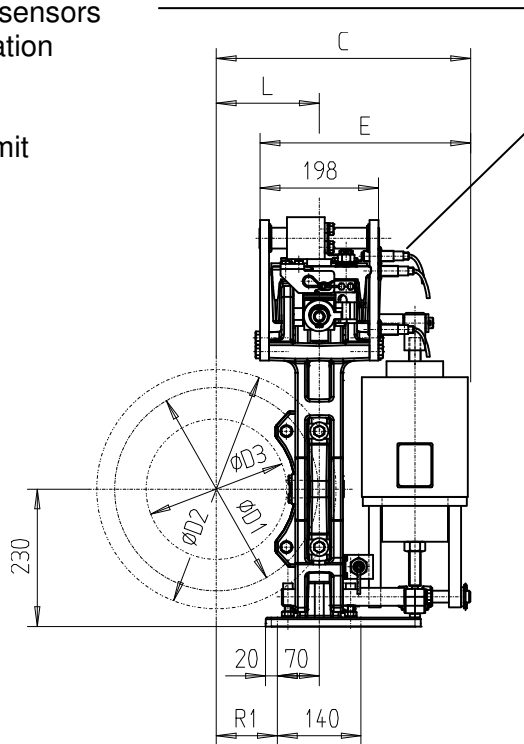
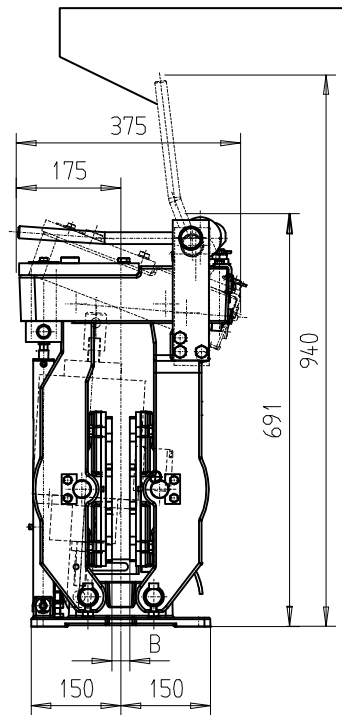


optional sensors
for indication
- open
- closed
- wear limit

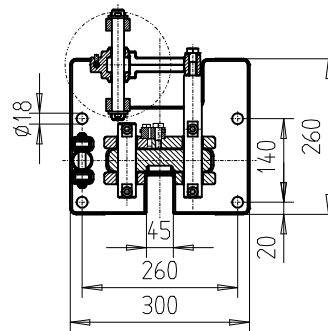


optional:
manual release



- D1: theoretical friction diameter
- D2: outer disc diameter
- D3: max. coupling or hub diameter
- B: disc width = 30 mm
- L: R1 + 70 mm

Linings standard: sinter
optional: organic



| | | | | | solenoid-size M3 | | solenoid-size M4 | | |
|------------------------------------|-----|-----|------|-----|---|------------------|---------------------|------------------|------------------|
| E | | | | | 347 | | 352 | | |
| weight without solenoid ~ 80 kg | | | | | Braking torque M (in combination with SCU) in Nm with $\mu = 0,35$ | | | | |
| D2 | D1 | D3 | R1 | C | M _{min} | M _{max} | C | M _{min} | M _{max} |
| 315 | 225 | 130 | 47,5 | 365 | 370 | 920 | 370 | 620 | 1380 |
| 355 | 285 | 185 | 75,5 | 395 | 480 | 1170 | 400 | 800 | 1750 |
| 400 | 340 | 235 | 102 | 420 | 560 | 1400 | 425 | 950 | 2080 |
| 450 | 390 | 285 | 127 | 445 | 650 | 1600 | 450 | 1080 | 2400 |
| 500 | 437 | 335 | 152 | 470 | 730 | 1800 | 475 | 1200 | 2680 |
| 560 | 495 | 390 | 182 | 500 | 830 | 2000 | 505 | 1360 | 3000 |
| 630 | 565 | 455 | 217 | 535 | 940 | 2300 | 540 | 1560 | 3480 |
| 710 | 653 | 530 | 257 | 575 | 1100 | 2700 | 580 | 1800 | 4000 |

Alterations reserved

SIBRE Siegerland-Bremsen GmbH – Auf der Stücke 1-5 – D-35708 Haiger, Germany
Tel.: +49 2773 94000 – Fax: +49 2773 9400-10 – e-mail: info@sibre.de – www.sibre.de