

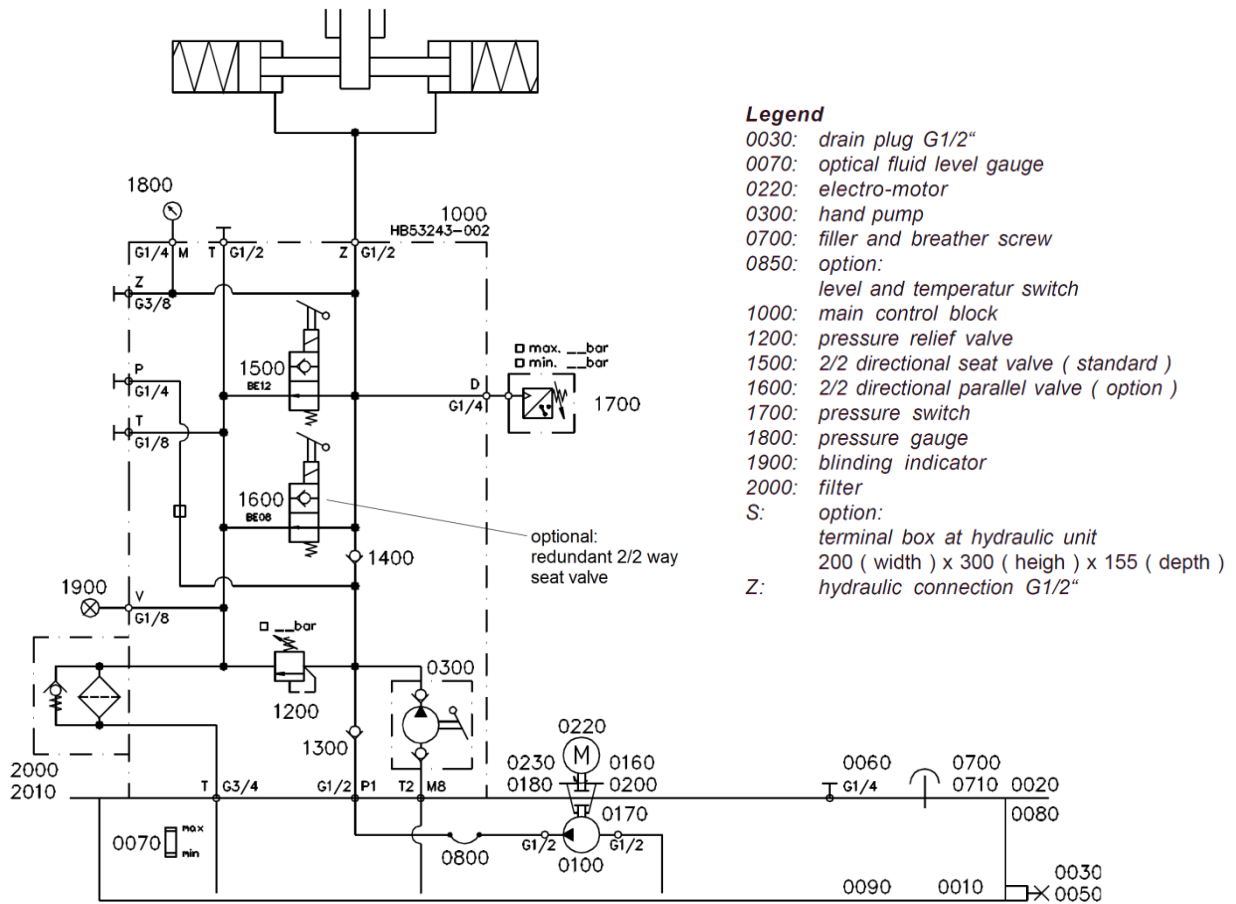
Technical Data

- | | |
|--|--|
| <ul style="list-style-type: none"> • Weight without oil-filling • Tank volume • Ambient temperature ranges
 • humidity • recommended operating fluid
 • protection class • max. no. of operating cycles per hour • motor
supply voltage range
 • valve voltages
 • valve capacity per valve BE12
valve capacity per redundant valve BE08
 • mounting position of HPU | <p>approx.. 60 kg
4 ltr.
-15°C ... +50°C in standard version
-40°C ... +40°C in low temperature version
-15°C ... +75°C in high temperature version
≤ 90%
HLP Hydraulic oil acc DIN51524-T2
- for standard version: HLP Synth 32
- others version: upon request
IP55
50
rotating clockwise when looking at ventilator:
50 Hz / 380-420 V
60 Hz / 440-480 V
P = 24 V DC (Standard)
V = 115 V AC ; 50/60 Hz (optional)
W = 230 V AC ; 50/60 Hz (optional)
(others upon request)
100 l/min at Δp 10 bar
35 l/min at Δp 10 bar</p> <p>horizontal</p> |
|--|--|

Alterations reserved

SIBRE Siegerland-Bremsen GmbH – Auf der Stücke 1-5 – D-35708 Haiger, Germany
Tel.: +49 2773 94000 – Fax: +49 2773 9400-10 – e-mail: info@sibre.de – www.sibre.de

Type	Pressure switch		Pressure relieve valve setting (DBV)	Release pressure	Pump capacity	Motor power
	min	max				
	bar		bar	bar	l/min	kW
V3 E	55	70	85	55	20	3.0
V3 A	80	95	110	80	20	3.0
V3 B	120	135	150	120	13	3.0
V3 D	145	160	175	145	9	3.0
V3 C	175	190	205	175	9	3.0



Type	Suitable for					
V3 E	SHI 102	SHI 101	SHI 75-2	SHI 75-1	SHI 52	SHI 51
	RHI 102	RHI 101				
V3 A	SHI 104	SHI 103	SHI 75-4	SHI 75-3		
	RHI 104	RHI 103				
V3 B	SHI 251	SHI 201	SHI 105	SHI 75-5	SHI 53	
	RHI 105	RHI 70	RHI 56	RHI 30		
	RPS 200					
V3 D	SHI 252	SHI 231	SHI 106	SHI 75-6		
	RPS 450					
V3 C	SHI 232	SHI 202	SHI 107	SHI 54		
	RPS 600	RPS 300				
	CB8-H					