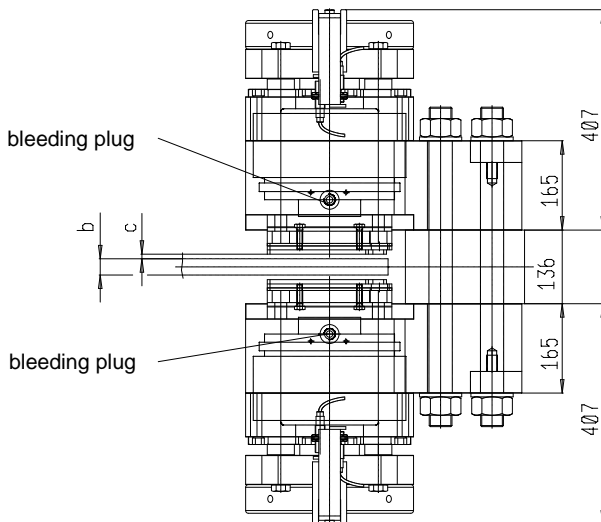


hydraulic-connection G 1/2"

hydraulik-connection G 1/2"



Mounting Studs			
n	number		8
	size, grade		M42, 12.9
M <sub>A</sub>	fastening torque	Nm	6000 at μ=0,14
Linings			
	material		sinter
	avg. friction coefficient*		0,4

\* average friction coefficient with standard material combination and a peripheral speed up to 15 m/s

SHI-Type		281	282	
Clamping Force F <sub>A</sub>				
F <sub>A</sub>	with airgap c = 1 mm	kN	455	555
F <sub>A</sub>	with airgap c = 2 mm	kN	425	510
F <sub>A</sub>	with airgap c = 3 mm	kN	395	465
Torque Calculation				
M <sub>Br</sub>	braking torque Nm	2 x F <sub>A</sub> x μ x (d/2-112,5)		
Hydraulic				
P <sub>L</sub>	release pressure	bar	135	165
P <sub>max</sub>	max. pressure	bar	175	205
V <sub>max</sub>	volume at c= 2,0 mm	ltr	0,181	
Brake Discs				
b	disc thickness	mm	≥30	
d	disc diameter	mm	≥∅1600	
d <sub>1</sub>	max. hub or drum diameter	mm	d-545mm	
Mass				
L x W x H = 510 x (1050+b) x 520 mm				
weight: 930 kg				