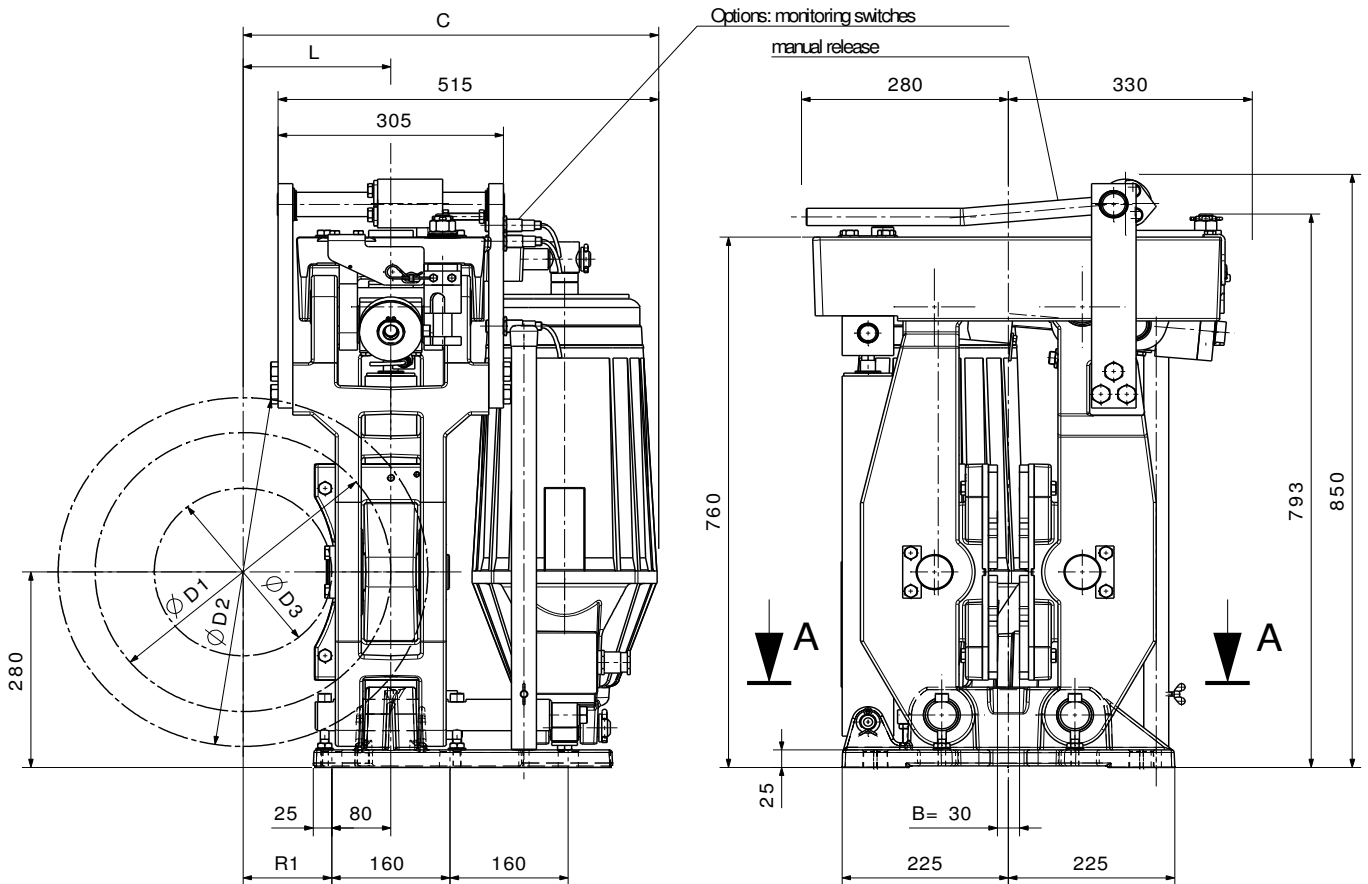


Disc Brake USB-C 33

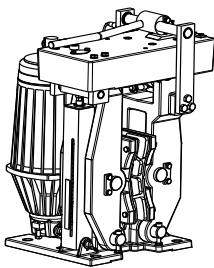
M 1501 214-DE/EN

Seite / page 1 / 1

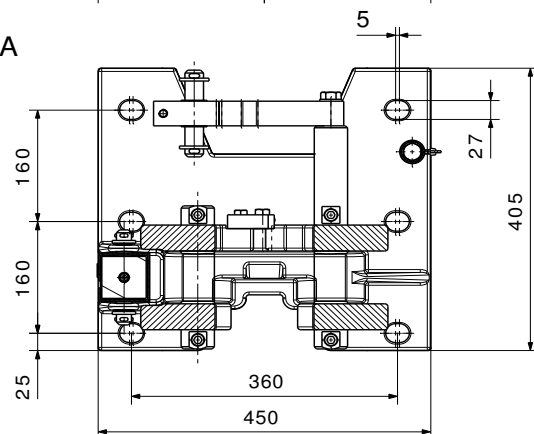
12.2006



- A1: friction surface per lining
 D1: theoretical friction diameter
 D2: outer disc diameter
 D3: max. coupling or hub diameter
 B: disc width = 30 mm
 L: R1 + 80 mm



Section A-A



thruster-type Ed 121/6 = Eldro EB 1250-60 = Elhy	thruster-type Ed 201/6 = Eldro EB 2000-60 = Elhy	thruster-type Ed 301/6 = Eldro EB 3000-60 = Elhy
--	--	--

weight without thruster: ~250 kg					Braking torque M in Nm with $\mu = 0,35$					
D2	D1	D3	R1	C	M_{min}	M_{max}	M_{min}	M_{max}	M_{min}	M_{max}
450	350	190	95	537,5	2450	3650	3430	4900	4280	8400
500	400	240	120	562,5	2800	4200	3920	5600	4900	9600
560	460	300	150	592,5	3220	4800	4500	6400	5635	11100
630	530	370	185	627,5	3710	5550	5190	7400	6493	12800
710	610	450	225	667,5	4270	6400	5970	8500	7470	14700
800	700	530	270	712,5	4900	7300	6860	9800	8570	16900

all dimensions indicated for standard version without options.
 Other disc diameters upon request. Alterations reserved!

Siegerland Bremsen

Auf der Stücke 1 - 5

D-35 708 Haiger

Fon: +49 (0)27 73 / 9400-0

Fax: +49 (0)27 73 / 9400-10

e-mail: info@sibre.de

internet: <http://www.sibre.de>