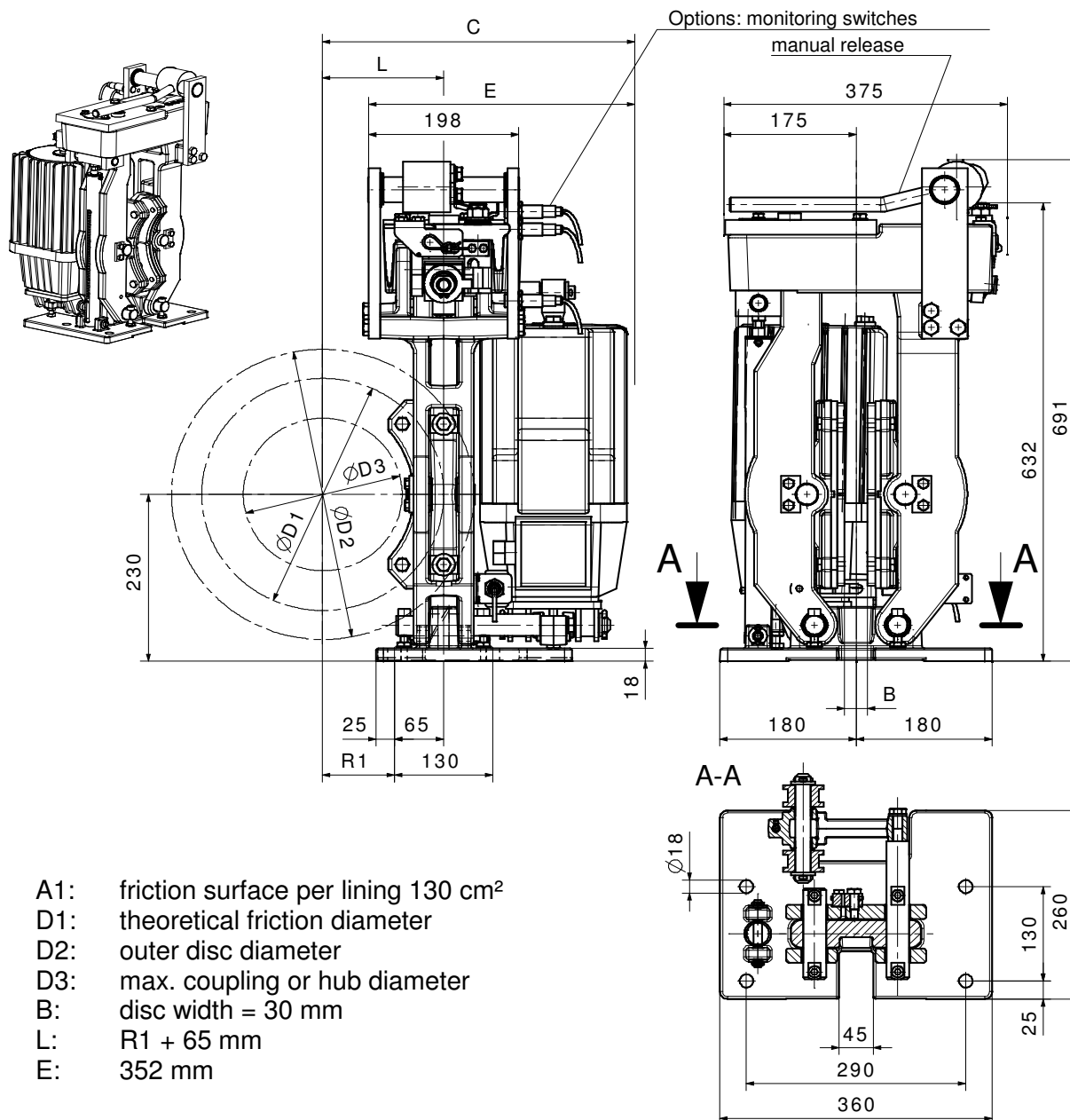


Disc Brake USB-C 31

M 1501 325-DE/EN
Seite / page 1 / 1
03.2007



- A1: friction surface per lining 130 cm²
 D1: theoretical friction diameter
 D2: outer disc diameter
 D3: max. coupling or hub diameter
 B: disc width = 30 mm
 L: R1 + 65 mm
 E: 352 mm

thruster-type Ed 30/5 = Eldro EB 300-50 = Elhy	thruster-type Ed 50/6 = Eldro EB 500-60 = Elhy	thruster-type Ed 80/6 = Eldro EB 800-60 = Elhy
--	--	--

weight without thruster: ~90 kg					Braking torque M in Nm with $\mu = 0,35$					
D2	D1	D3	R1	C	M _{min}	M _{max}	M _{min}	M _{max}	M _{min}	M _{max}
315	235	130	52,5	371	390	550	390	1160	780	1730
355	275	170	72,5	391	475	650	475	1380	950	2060
400	320	210	95	413	560	770	560	1630	1110	2420
450	370	260	120	438	640	890	640	1890	1270	2810
500	420	310	145	463	710	1010	710	2130	1420	3170
560	480	360	175	493	810	1150	810	2430	1620	3620
630	550	430	210	528	940	1320	940	2790	1870	4160
710	630	500	250	568	1060	1530	1060	3250	2170	4830

all dimensions indicated for standard version without options.
 Other disc diameters upon request. Alterations reserved!

Siegerland Bremsen
 Auf der Stücke 1 - 5
 D-35 708 Haiger

Fon: +49 (0)27 73 / 9400-0
 Fax: +49 (0)27 73 / 9400-10
 e-mail: info@sibre.de
 internet: <http://www.sibre.de>